

水平腳座 EH 22590.



產品描述

用來當作推力腳墊或腳座。

材質

滾珠軸承

- 鋼, 熱處理, 染黑
- 不鏽鋼 1.4305

有桿滾珠軸承

- 鋼, 熱處理, 染黑
- 不鏽鋼 1.4305

固定螺帽

- 鋼, 染黑, ISO 4032
- 鋼, 染黑, DIN 934
- 不鏽鋼 A2, ISO 4032
- 不鏽鋼 A2, DIN 934

腳座

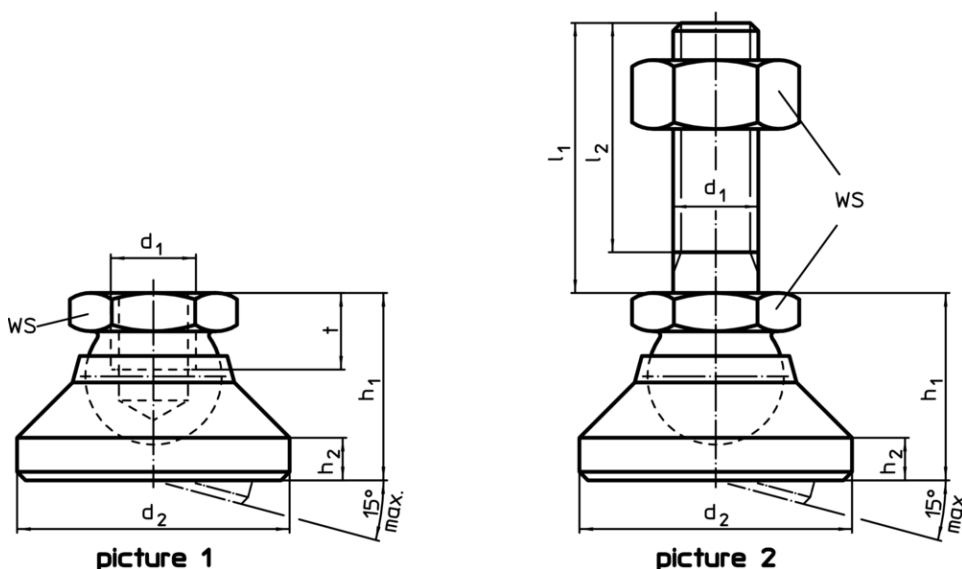
- 熱處理鋼, 染黑
- 不鏽鋼 1.4305
- 得林白塑膠 (POM)

更多資訊

注意事項



對於版本 $d_1 = M10$ 和 $M12$, 鎖緊螺母符合 DIN 934 標準。



圖面



訂單資訊

尺寸							WS	靜態荷重能力 max.	溫度		重量 [g]	RoHS	REACH	品號
d_1	l_1	d_2	l_2	h_1	h_2	t			min	max.				
[mm]							[mm]	[kN]	[°C]					
襯墊和軸承 鋼 - 相片 1, 熱處理鋼														
M 6	-	20	-	14	2,5	5,0	10	10	-	250	15	RoHS 認證	contains no SVHC materials	22590.0006
M 8	-	25	-	18	4,0	7,0	13	18	-	250	33	RoHS 認證	contains no SVHC materials	22590.0008
M10	-	32	-	22	5,0	9,0	17	20	-	250	66	RoHS 認證	contains no SVHC materials	22590.0010

d ₁	l ₁	d ₂	尺寸				WS	靜態荷重能力 max.				RoHS	REACH	品號	
			l ₂	h ₁ ~	h ₂	t			min	max.					
[mm]								[mm]	[kN]	[°C]		[g]			
M12	-	40	-	26	6,0	11,0	19	35	-	250	112	RoHS 認證	contains no SVHC materials	22590.0012	
M16	-	50	-	32	7,0	13,5	24	45	-	250	220	RoHS 認證	contains no SVHC materials	22590.0016	
M20	-	60	-	42	8,0	17,0	30	55	-	250	413	RoHS 認證	contains no SVHC materials	22590.0020	
M24	-	60	-	45	9,5	19,0	36	65	-	250	462	RoHS 認證	contains no SVHC materials	22590.0024	
襯墊和軸承鋼 - 相片 1, 不銹鋼															
M 6	-	20	-	14	2,5	5,0	10	8	-	250	15	RoHS 認證	contains no SVHC materials	22590.0206	
M 8	-	25	-	18	4,0	7,0	13	14	-	250	33	RoHS 認證	contains no SVHC materials	22590.0208	
M10	-	32	-	22	5,0	9,0	17	16	-	250	66	RoHS 認證	contains no SVHC materials	22590.0210	
M12	-	40	-	26	6,0	11,0	19	28	-	250	112	RoHS 認證	contains no SVHC materials	22590.0212	
M16	-	50	-	32	7,0	13,5	24	36	-	250	220	RoHS 認證	contains no SVHC materials	22590.0216	
M20	-	60	-	42	8,0	17,0	30	44	-	250	413	RoHS 認證	contains no SVHC materials	22590.0220	
M24	-	60	-	45	9,5	19,0	36	52	-	250	462	RoHS 認證	contains no SVHC materials	22590.0224	
襯墊 得林塑膠, 軸承 不銹鋼 - 相片 1, 熱塑性的															
M 6	-	20	-	14	2,5	5,0	10	4	-30	80	6	RoHS 認證	contains no SVHC materials	22590.0106	
M 8	-	25	-	18	4,0	7,0	13	7	-30	80	13	RoHS 認證	contains no SVHC materials	22590.0108	
M10	-	32	-	22	5,0	9,0	17	10	-30	80	26	RoHS 認證	contains no SVHC materials	22590.0110	
M12	-	40	-	26	6,0	11,0	19	18	-30	80	40	RoHS 認證	contains no SVHC materials	22590.0112	
M16	-	50	-	32	7,0	13,5	24	20	-30	80	75	RoHS 認證	contains no SVHC materials	22590.0116	
M20	-	60	-	42	8,0	17,0	30	22	-30	80	150	RoHS 認證	contains no SVHC materials	22590.0120	
M24	-	60	-	45	9,5	19,0	36	25	-30	80	184	RoHS 認證	contains no SVHC materials	22590.0124	
襯墊 和軸承 含螺栓鋼 - 相片 2, 熱處理鋼															
M 6	60	20	57,0	14	2,5	-	10	10	-	250	29	RoHS 認證	contains no SVHC materials	22590.0410	
M 8	80	25	76,0	18	4,0	-	13	18	-	250	66	RoHS 認證	contains no SVHC materials	22590.0422	
M10	100	32	95,5	22	5,0	-	17	20	-	250	133	RoHS 認證	contains no SVHC materials	22590.0438	
M10	150	32	145,5	22	5,0	-	17	20	-	250	159	RoHS 認證	contains no SVHC materials	22590.0442	
M12	100	40	94,5	26	6,0	-	19	35	-	250	211	RoHS 認證	contains no SVHC materials	22590.0452	
M12	150	40	144,5	26	6,0	-	19	35	-	250	247	RoHS 認證	contains no SVHC materials	22590.0456	
M16	100	50	94,0	32	7,0	-	24	45	-	250	407	RoHS 認證	contains no SVHC materials	22590.0468	
M16	200	50	194,0	32	7,0	-	24	45	-	250	540	RoHS 認證	contains no SVHC materials	22590.0472	
M20	100	60	92,5	42	8,0	-	30	55	-	250	722	RoHS 認證	contains no SVHC materials	22590.0482	
M20	200	60	192,5	42	8,0	-	30	55	-	250	924	RoHS 認證	contains no SVHC materials	22590.0488	
M24	100	60	91,0	45	9,5	-	36	65	-	250	935	RoHS 認證	contains no SVHC materials	22590.0495	
M24	200	60	191,0	45	9,5	-	36	65	-	250	1231	RoHS 認證	contains no SVHC materials	22590.0498	

尺寸							WS	靜態荷重能力 max.	 min max.		 [g]	RoHS	REACH	品號
d ₁	l ₁	d ₂	l ₂	h ₁ ~ h ₂	t	[mm]			[kN]	[°C]				
襯墊和軸承含螺栓鋼 – 相片 2, 不銹鋼														
M 6	60	20	57,0	14	2,5	–	10	8	–	250	29	RoHS 認證	contains no SVHC materials	22590.0610
M 8	80	25	76,0	18	4,0	–	13	14	–	250	66	RoHS 認證	contains no SVHC materials	22590.0622
M10	100	32	95,5	22	5,0	–	17	16	–	250	133	RoHS 認證	contains no SVHC materials	22590.0638
M10	150	32	145,5	22	5,0	–	17	16	–	250	159	RoHS 認證	contains no SVHC materials	22590.0642
M12	100	40	94,5	26	6,0	–	19	28	–	250	211	RoHS 認證	contains no SVHC materials	22590.0652
M12	150	40	144,5	26	6,0	–	19	28	–	250	247	RoHS 認證	contains no SVHC materials	22590.0656
M16	100	50	94,0	32	7,0	–	24	36	–	250	407	RoHS 認證	contains no SVHC materials	22590.0668
M16	200	50	194,0	32	7,0	–	24	36	–	250	540	RoHS 認證	contains no SVHC materials	22590.0672
M20	100	60	92,5	42	8,0	–	30	44	–	250	722	RoHS 認證	contains no SVHC materials	22590.0682
M20	200	60	192,5	42	8,0	–	30	44	–	250	924	RoHS 認證	contains no SVHC materials	22590.0688
M24	100	60	91,0	45	9,5	–	36	52	–	250	935	RoHS 認證	contains no SVHC materials	22590.0695
M24	200	60	191,0	45	9,5	–	36	52	–	250	1231	RoHS 認證	contains no SVHC materials	22590.0698
襯墊得林塑膠, 軸承含螺栓不銹鋼 – 相片 2, 熱塑性的														
M 6	60	20	57,0	14	2,5	–	10	4	-30	80	20	RoHS 認證	contains no SVHC materials	22590.0510
M 8	80	25	76,0	18	4,0	–	13	7	-30	80	46	RoHS 認證	contains no SVHC materials	22590.0522
M10	100	32	95,5	22	5,0	–	17	10	-30	80	92	RoHS 認證	contains no SVHC materials	22590.0538
M10	150	32	145,5	22	5,0	–	17	10	-30	80	118	RoHS 認證	contains no SVHC materials	22590.0542
M12	100	40	94,5	26	6,0	–	19	18	-30	80	139	RoHS 認證	contains no SVHC materials	22590.0552
M12	150	40	144,5	26	6,0	–	19	18	-30	80	173	RoHS 認證	contains no SVHC materials	22590.0556
M16	100	50	94,0	32	7,0	–	24	20	-30	80	264	RoHS 認證	contains no SVHC materials	22590.0568
M16	200	50	194,0	32	7,0	–	24	20	-30	80	393	RoHS 認證	contains no SVHC materials	22590.0572
M20	100	60	92,5	42	8,0	–	30	22	-30	80	463	RoHS 認證	contains no SVHC materials	22590.0582
M20	200	60	192,5	42	8,0	–	30	22	-30	80	664	RoHS 認證	contains no SVHC materials	22590.0588
M24	100	60	91,0	45	9,5	–	36	25	-30	80	662	RoHS 認證	contains no SVHC materials	22590.0595
M24	200	60	191,0	45	9,5	–	36	25	-30	80	960	RoHS 認證	contains no SVHC materials	22590.0598

應用範例

