

## 水平腳座·有固定孔

EH 22590.

### 產品描述

用來當作推力腳墊或腳座。  
在襯墊中包含2個固定孔。

### 材質

滾珠軸承

- 不鏽鋼 1.4305

有桿滾珠軸承

- 不鏽鋼 1.4305

固定螺帽

- 不鏽鋼 A2, ISO 4032
- 不鏽鋼 A2, DIN 934

腳座

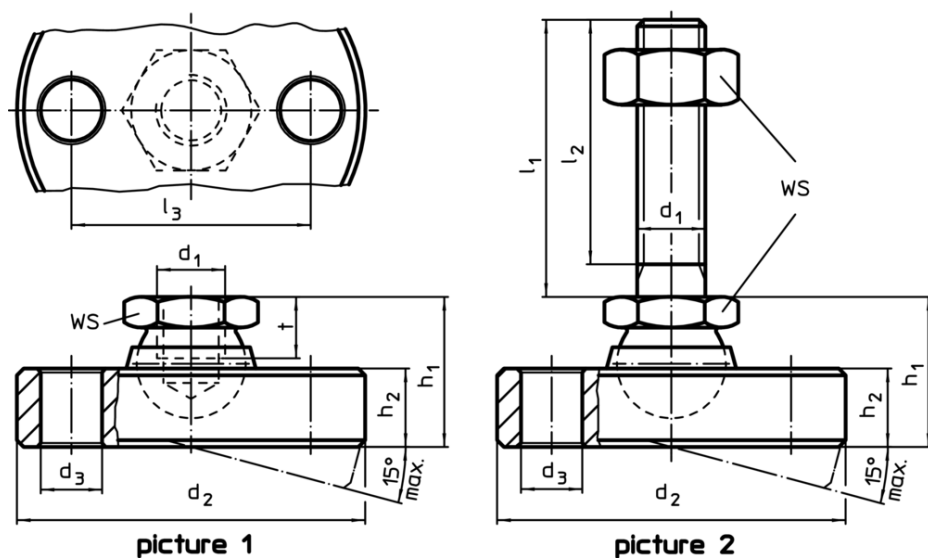
- 不鏽鋼 1.4305

### 更多資訊

### 注意事項

對於版本  $d_1 = M10$  和  $M12$ ，鎖緊螺母符合 DIN 934 標準。

### 圖面



### 訂單資訊

$d_1$	$l_1$	$d_2$ -0,5	$d_3$	尺寸 $l_2$	$l_3$	$h_1$ ~	$h_2$	$t$	WS [mm]	靜態荷重能力 max. [kN]	 [g]	RoHS 認證	REACH	品號
襯墊和球形軸承 是 不鏽鋼 - 相片 1														
M 6	-	45	6,6	-	32	14	6,5	5,0	10	8	79	RoHS 認證	contains no SVHC materials	22590.0706
M 8	-	50	6,6	-	38	18	8,5	7,0	13	14	130	RoHS 認證	contains no SVHC materials	22590.0708
M10	-	60	9,0	-	44	22	11,5	9,0	17	16	250	RoHS 認證	contains no SVHC materials	22590.0710
M12	-	65	9,0	-	48	26	12,5	11,0	19	28	326	RoHS 認證	contains no SVHC materials	22590.0712
M16	-	70	9,0	-	54	32	13,5	13,5	24	36	427	RoHS 認證	contains no SVHC materials	22590.0716
M20	-	80	9,0	-	64	42	16,5	17,0	30	44	718	RoHS 認證	contains no SVHC materials	22590.0720
M24	-	100	11,0	-	78	45	20,5	19,0	36	52	1304	RoHS 認證	contains no SVHC materials	22590.0724

d <sub>1</sub>	l <sub>1</sub>	d <sub>2</sub> -0,5	d <sub>3</sub>	尺寸					WS [mm]	靜態荷重能力 max. [kN]	 [g]	RoHS	REACH	品號
				l <sub>2</sub>	l <sub>3</sub>	h <sub>1</sub> ~	h <sub>2</sub>	t						
[mm]														
襯墊和球形軸承 含螺柱 是不鏽鋼 – 相片 2														
M 6	60	45	6,6	57,0	32	14	6,5	–	10	8	93	RoHS 認證	contains no SVHC materials	22590.0810
M 8	80	50	6,6	76,0	38	18	8,5	–	13	14	163	RoHS 認證	contains no SVHC materials	22590.0822
M10	100	60	9,0	95,5	44	22	11,5	–	17	16	318	RoHS 認證	contains no SVHC materials	22590.0838
M10	150	60	9,0	145,5	44	22	11,5	–	17	16	341	RoHS 認證	contains no SVHC materials	22590.0842
M12	100	65	9,0	94,5	48	26	12,5	–	19	28	423	RoHS 認證	contains no SVHC materials	22590.0852
M12	150	65	9,0	144,5	48	26	12,5	–	19	28	459	RoHS 認證	contains no SVHC materials	22590.0856
M16	100	70	9,0	94,0	54	32	13,5	–	24	36	615	RoHS 認證	contains no SVHC materials	22590.0868
M16	200	70	9,0	194,0	54	32	13,5	–	24	36	746	RoHS 認證	contains no SVHC materials	22590.0872
M20	100	80	9,0	92,5	64	42	16,5	–	30	44	1034	RoHS 認證	contains no SVHC materials	22590.0882
M20	200	80	9,0	192,5	64	42	16,5	–	30	44	1231	RoHS 認證	contains no SVHC materials	22590.0888
M24	100	100	11,0	91,0	78	45	20,5	–	36	52	1775	RoHS 認證	contains no SVHC materials	22590.0895
M24	200	100	11,0	191,0	78	45	20,5	–	36	52	2075	RoHS 認證	contains no SVHC materials	22590.0898

應用範例

