

球形旋鈕· DIN 319
EH 24560.

產品描述

DIN 319 球形把手是無縫，且經過拋光的。



材質

襯套

- 鋼，鍍鋅
- 黃銅

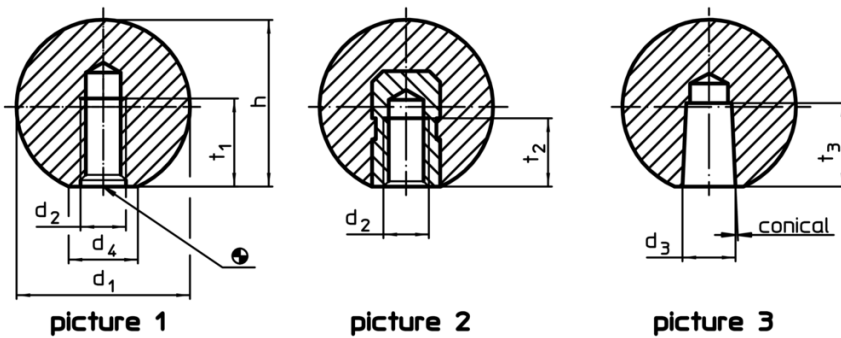
珠子

- DIN 7708 - 熱固性塑膠 (PF 31)，黑色 (接近色號 RAL 9005)
- DIN 7708 - 熱固塑料 (PF 31)，紅色 (接近色號 RAL 3003)

組裝

適用於型式 M 元件之組裝操作說明：
以鑿頭輕敲的方式安裝，固定於定位無須使用固接劑。對於反作用元件而言，- h9-配合即已足夠。



圖面



訂單資訊

尺寸				雙頭螺栓用	🌡️	📦	RoHS	REACH	品號				
d ₁	d ₂	d ₃	d ₄ ~	h ~	t ₁ min	t ₂ min	t ₃ min	h9 [mm]	max. [°C]	[g]			
[mm]													
有成形 螺紋， 型式 C - 相片 1, 黑色													
16	M 4	-	8	15,0	7	-	-	-	110	3,2	RoHS 認證	contains no SVHC materials	24560.0016
20	M 5	-	12	18,0	9	-	-	-	110	5,2	RoHS 認證	contains no SVHC materials	24560.0020
25	M 6	-	15	22,5	11	-	-	-	110	10,0	RoHS 認證	contains no SVHC materials	24560.0025
32	M 8	-	18	29,0	14	-	-	-	110	22,0	RoHS 認證	contains no SVHC materials	24560.0032
40	M10	-	22	37,0	18	-	-	-	110	43,0	RoHS 認證	contains no SVHC materials	24560.0040
50	M12	-	28	46,0	21	-	-	-	110	86,0	RoHS 認證	contains no SVHC materials	24560.0050

¹⁾ 襯套從黃銅

尺寸								雙頭螺柱用			RoHS	REACH	品號
d ₁	d ₂	d ₃	d ₄ ~	h ~ [mm]	t ₁ min	t ₂ min	t ₃ min	h9 [mm]	max. [°C]	[g]			
有成形螺紋，型式 C – 相片 1, 紅色													
16	M 4	-	8	15,0	7	-	-	-	110	3,0	RoHS 認證	contains no SVHC materials	24560.0516
20	M 5	-	12	18,0	9	-	-	-	110	5,0	RoHS 認證	contains no SVHC materials	24560.0520
25	M 6	-	15	22,5	11	-	-	-	110	11,0	RoHS 認證	contains no SVHC materials	24560.0525
32	M 8	-	18	29,0	14	-	-	-	110	23,0	RoHS 認證	contains no SVHC materials	24560.0532
40	M10	-	22	37,0	18	-	-	-	110	43,0	RoHS 認證	contains no SVHC materials	24560.0540
50	M12	-	28	46,0	21	-	-	-	110	86,0	RoHS 認證	contains no SVHC materials	24560.0550
有螺紋的襯套，型式 E – 相片 2, 黑色													
16	M 4	-	8	15,0	-	6,0	-	-	110	3,9	RoHS 認證	contains no SVHC materials	24560.0116 ¹⁾
20	M 5	-	12	18,0	-	7,5	-	-	110	8,0	RoHS 認證	contains no SVHC materials	24560.0120
25	M 6	-	15	22,5	-	9,0	-	-	110	14,0	RoHS 認證	contains no SVHC materials	24560.0125
32	M 8	-	18	29,0	-	12,0	-	-	110	26,0	RoHS 認證	contains no SVHC materials	24560.0132
40	M10	-	22	37,0	-	15,0	-	-	110	56,0	RoHS 認證	contains no SVHC materials	24560.0140
50	M12	-	28	46,0	-	18,0	-	-	110	108,0	RoHS 認證	contains no SVHC materials	24560.0150
有螺紋的襯套，型式 E – 相片 2, 紅色													
16	M 4	-	8	15,0	-	6,0	-	-	110	3,8	RoHS 認證	contains no SVHC materials	24560.0616 ¹⁾
20	M 5	-	12	18,0	-	7,5	-	-	110	8,3	RoHS 認證	contains no SVHC materials	24560.0620
25	M 6	-	15	22,5	-	9,0	-	-	110	14,0	RoHS 認證	contains no SVHC materials	24560.0625
32	M 8	-	18	29,0	-	12,0	-	-	110	30,0	RoHS 認證	contains no SVHC materials	24560.0632
40	M10	-	22	37,0	-	15,0	-	-	110	55,0	RoHS 認證	contains no SVHC materials	24560.0640
50	M12	-	28	46,0	-	18,0	-	-	110	108,0	RoHS 認證	contains no SVHC materials	24560.0650
有斜度孔 型式 M – 相片 3, 黑色													
16	-	4	8	15,0	-	-	9	4	110	2,7	RoHS 認證	contains no SVHC materials	24560.0216
20	-	5	12	18,0	-	-	12	5	110	5,1	RoHS 認證	contains no SVHC materials	24560.0220
25	-	6	15	22,5	-	-	15	6	110	9,3	RoHS 認證	contains no SVHC materials	24560.0225
32	-	8	18	29,0	-	-	15	8	110	19,0	RoHS 認證	contains no SVHC materials	24560.0232
40	-	10	22	37,0	-	-	20	10	110	39,0	RoHS 認證	contains no SVHC materials	24560.0240
50	-	12	28	46,0	-	-	22	12	110	84,0	RoHS 認證	contains no SVHC materials	24560.0250

¹⁾ 襯套從黃銅

應用範例

