

精密分割定位柱·有錐形支撐

EH 22130.



產品描述

精密分割定位柱與襯套配合使用是快速定位與安裝的最佳組合。兩者的精度公差，精密分割定位柱與襯套，確保了其可靠性。

材質

螺絲形支撐座

- 表面硬化鋼，表面硬化，染黑和研磨

襯套

- 表面硬化鋼，表面硬化，染黑和研磨

本體

- 表面硬化鋼，表面硬化，染黑和研磨

球形手把

- 熱可塑性，灰黑

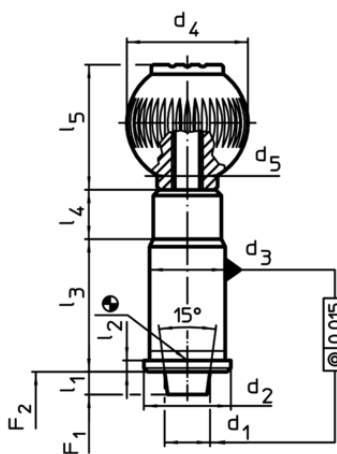
組裝

為了達到精度設定，握把與分割定位柱在組立後必須上膠固定。

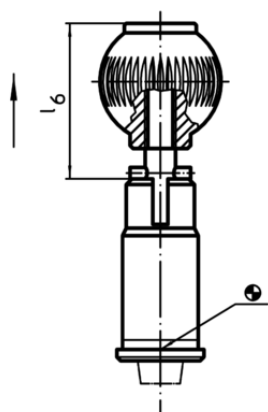
操作

當使用鎖定指數柱塞，旋鈕被拉出並旋轉90°。

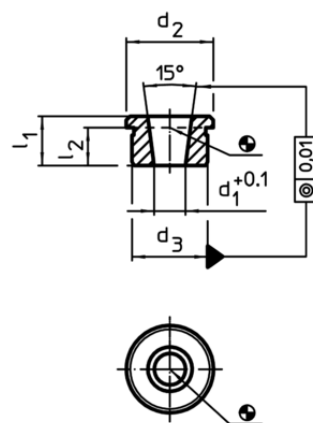
圖面



picture 1



picture 2



picture 3

訂單資訊


| 公稱直徑 [mm] | 尺寸 | | | | | | | | | | | 彈簧荷重 ¹⁾ | | [g] | RoHS | REACH | 品號 |
|--------------|----------------|----------------|----------------------|----------------|----------------|-----------------------|----------------|----------------|----------------|----------------|----------------|---------------------|---------------------|-----|------------|-------------------------------|------------|
| | d ₁ | d ₂ | d ₃ n6 | d ₄ | d ₅ | l ₁ min | l ₂ | l ₃ | l ₄ | l ₅ | l ₆ | F ₁ ~ | F ₂ ~ | | | | |
| 不含鎖緊 - 相片 1 | | | | | | | | | | | | | | | | | |
| 10 | 10 | 19 | 16 | 25 | M 6 | 6 | 2,5 | 31 | 13 | 25,0 | - | 19 | 29 | 78 | RoHS 認證 | contains no SVHC materials | 22130.0110 |
| 12 | 12 | 23 | 20 | 32 | M 8 | 6 | 3,0 | 35 | 13 | 33,0 | - | 22 | 35 | 135 | RoHS 認證 | contains no SVHC materials | 22130.0112 |
| 16 | 16 | 28 | 25 | 40 | M10 | 6 | 3,0 | 42 | 13 | 41,5 | - | 30 | 50 | 227 | RoHS 認證 | contains no SVHC materials | 22130.0116 |
| 20 | 20 | 33 | 30 | 40 | M10 | 6 | 3,0 | 50 | 13 | 41,5 | - | 46 | 63 | 348 | RoHS 認證 | contains no SVHC materials | 22130.0120 |
| 25 | 25 | 42 | 38 | 50 | M10 | 6 | 3,0 | 60 | 13 | 51,0 | - | 39 | 73 | 654 | RoHS 認證 | contains no SVHC materials | 22130.0125 |

¹⁾ 統計平均值

| 公稱直徑 [mm] | d ₁ | d ₂ | d ₃ n6 | d ₄ | d ₅ | 尺寸 | | | | | | 彈簧荷重 ¹⁾ | | [g] | RoHS | REACH | 品號 | |
|--------------|----------------|----------------|----------------------|----------------|----------------|-----------------------|----------------|----------------|----------------|----------------|----------------|---------------------|---------------------|-----|------------|-------------------------------|------------|-----|
| | | | | | | l ₁ min | l ₂ | l ₃ | l ₄ | l ₅ | l ₆ | F ₁ ~ | F ₂ ~ | | | | | [N] |
| 含鎖緊 - 相片 2 | | | | | | | | | | | | | | | | | | |
| 10 | 10 | 19 | 16 | 25 | M 6 | 6 | 2,5 | 31 | 13 | 25,0 | 32,5 | 19 | 29 | 78 | RoHS 認證 | contains no SVHC materials | 22130.0160 | |
| 12 | 12 | 23 | 20 | 32 | M 8 | 6 | 3,0 | 35 | 13 | 33,0 | 40,5 | 22 | 35 | 135 | RoHS 認證 | contains no SVHC materials | 22130.0162 | |
| 16 | 16 | 28 | 25 | 40 | M10 | 6 | 3,0 | 42 | 13 | 41,5 | 49,0 | 30 | 50 | 228 | RoHS 認證 | contains no SVHC materials | 22130.0166 | |
| 20 | 20 | 33 | 30 | 40 | M10 | 6 | 3,0 | 50 | 13 | 41,5 | 49,0 | 46 | 63 | 348 | RoHS 認證 | contains no SVHC materials | 22130.0170 | |
| 25 | 25 | 42 | 38 | 50 | M10 | 6 | 3,0 | 60 | 13 | 51,0 | 58,5 | 39 | 73 | 651 | RoHS 認證 | contains no SVHC materials | 22130.0175 | |

¹⁾ 統計平均值

配件

| 公稱直徑 [mm] | d ₁ +0,1 | d ₂ | d ₃ n6 | l ₁ min | l ₂ | [g] | RoHS | REACH | 品號 | |
|---|------------------------|----------------|----------------------|-----------------------|----------------|------|------|------------|-------------------------------|-------------|
| | | | | | | | | | | 斜度襯套 - 相片 3 |
|  | 10 | 7,10 | 19 | 16 | 11 | 8,5 | 13 | RoHS 認證 | contains no SVHC materials | 22130.0190 |
| | 12 | 8,28 | 23 | 20 | 13 | 10,0 | 25 | RoHS 認證 | contains no SVHC materials | 22130.0192 |
| | 16 | 11,52 | 28 | 25 | 17 | 14,0 | 47 | RoHS 認證 | contains no SVHC materials | 22130.0193 |
| | 20 | 15,49 | 33 | 30 | 16 | 13,0 | 60 | RoHS 認證 | contains no SVHC materials | 22130.0194 |
| | 25 | 19,70 | 42 | 38 | 19 | 16,0 | 114 | RoHS 認證 | contains no SVHC materials | 22130.0196 |

應用範例

